



Solaire®

INFRARED GRILLING SYSTEMS

SOLAIRE ANYWHERE GRILL TRIPOD ASSEMBLY INSTRUCTIONS

12028 E. PHILADELPHIA ST. WHITTIER CALIFORNIA 90601 U.S.A. www.rasmussen.biz



Rasmussen
GAS LOGS & GRILLS
REV: 5.20.2008

ATTENTION! READ INSTRUCTIONS CAREFULLY BEFORE ASSEMBLY

WARRANTY

Rasmussen will repair or replace at our election any part that has failed due to defects in material or workmanship for a period of one year from date of purchase.

REQUIRED PARTS AND TOOLS

The Solaire Anywhere Tripod Assembly consists of: one Tripod Mounting Bracket (Figure 1), one Tripod Mounting Plate (with four bolts and eight washers) (Figure 2), and one Tripod Base, (Figure 3, bottom of page). A 7/16" or adjustable wrench required for assembly.

FIGURE 1

Tripod Mounting Bracket



FIGURE 2

Tripod Mounting Plate



STEP ONE: EXTENDING THE TRIPOD LEGS

- 1) Remove the shrink wrap from the Tripod Base. Ensure that Knob "A" (Figure 3) is loose and stand the Tripod Base upright as shown.
- 2) Grasp two of the tripod legs, so that the weight of the tripod is on the third leg (Figure 4A).
- 3) Carefully pull the legs apart (Figure 4B) to a fully open position (Figure 5). In order to secure the tripod legs position, gently tighten Knob "A" (Figure 5).

WARNING:

Minimal torque is needed on all 3 tripod knobs. Over tightening could damage the knob assembly and will void the warranty.

FIGURE 3



FIGURE 4

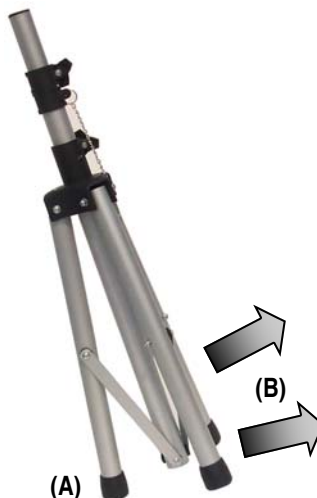
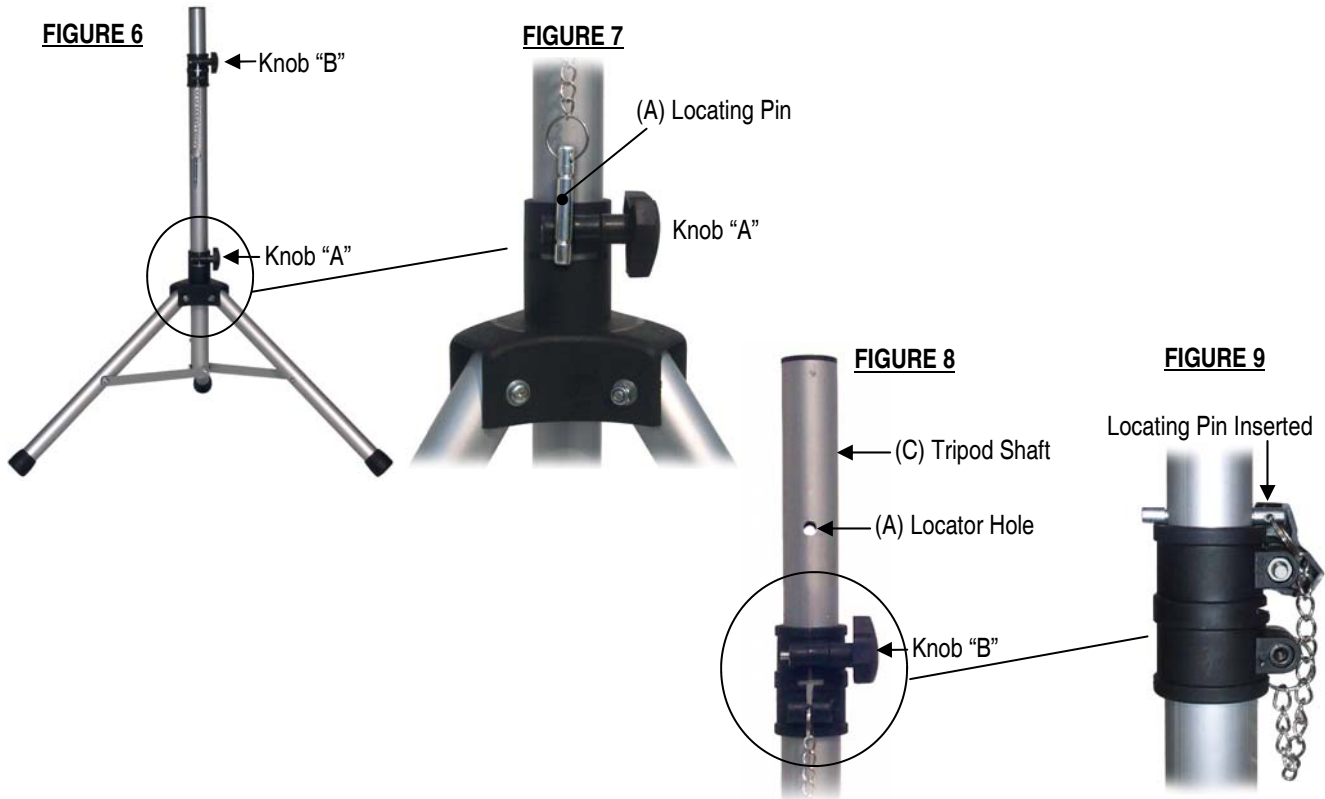


FIGURE 5



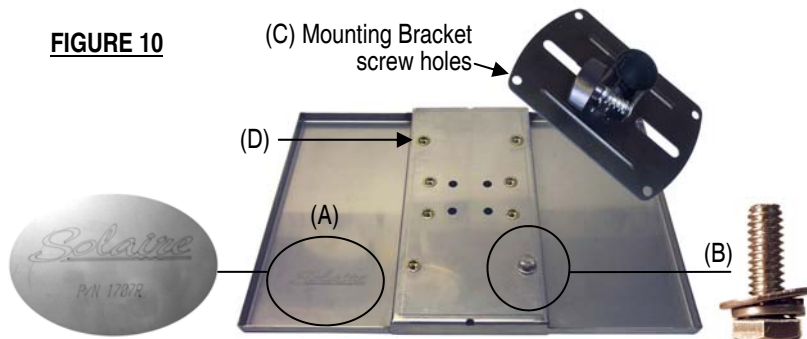
STEP TWO: SETTING THE TRIPOD HEIGHT

- 1) Ensure that Knob "B" is loose (Figure 6).
- 2) Set height by inserting the Locating Pin (Figure 7A) through one of the five locator holes (Figure 8A) in the Tripod Shaft (Figure 8C).
- 3) Gently thumb tighten Knob "B" (Figure 6) in order to prevent unwanted rotation. Figure 9 shows Locating Pin correctly inserted.

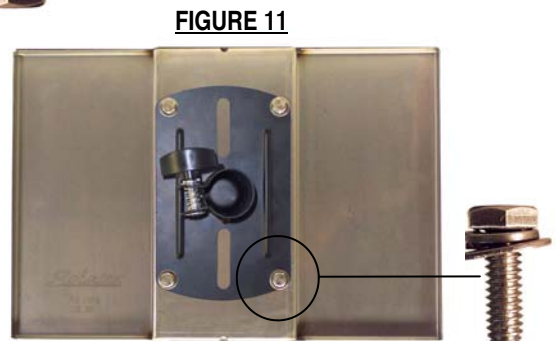


STEP THREE: ATTACH THE TRIPOD MOUNTING BRACKET TO THE TRIPOD MOUNTING PLATE

- 1) Remove the shrink wrap from the Mounting Plate.
- 2) Place the Mounting Plate on a flat surface, Solaire logo side up (Figure 10A).
- 3) Using a 7/16" (or adjustable) wrench, unscrew the four hex head bolts (Figure 10B) being careful to keep the washers with the bolts.



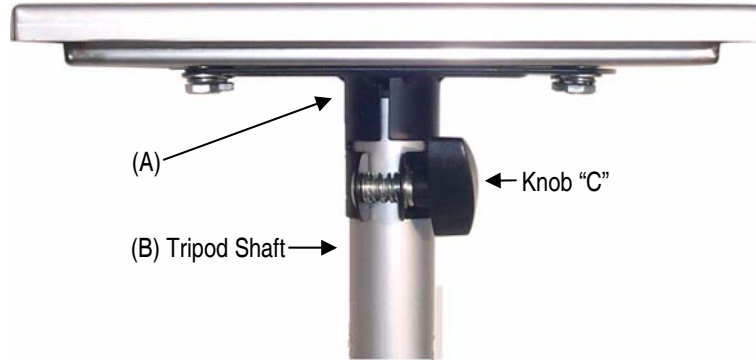
- 4) Align the four Mounting Bracket screw holes (Figure 10C) with the four outer riv nuts on the Mounting Plate (Figure 10D).
- 5) Re-screw the four bolts with washers through the Mounting Bracket and the Mounting Plate, again using a 7/16" (or adjustable) wrench (Figure 11).



STEP FOUR: ATTACH THE MOUNTING BRACKET / MOUNTING PLATE ASSEMBLY TO THE TRIPOD

- 1) Take the Mounting Bracket/Mounting Plate assembly (Figure 12A) and insert into the Tripod Shaft (Figure 12B)
- 2) Gently thumb-tighten Knob "C" (Figure 12) to prevent unwanted rotation of the grill. Do not over tighten as this may strip the threads voiding your warranty.

FIGURE 12
(Side View)



STEP FIVE: ATTACH THE SOLAIRE ANYWHERE GRILL TO THE TRIPOD

- 1) Remove the four Adjustable Feet on the bottom of the Solaire Anywhere Grill (pre-attached at the factory) (Figure 13A).
- 2) With the back of the Solaire Anywhere Grill facing the Tripod and using the brackets underneath the Solaire Anywhere Grill as a guide (Figure 13B), slide the grill onto the Mounting Plate (Figure 13C) until the Mounting Plate is fully inserted into the slides (Figure 14).
- 3) Secure the Solaire Anywhere Grill by screwing the four Adjustable Feet back into place (Figure 15A).

FIGURE 13
(Rear Side View)

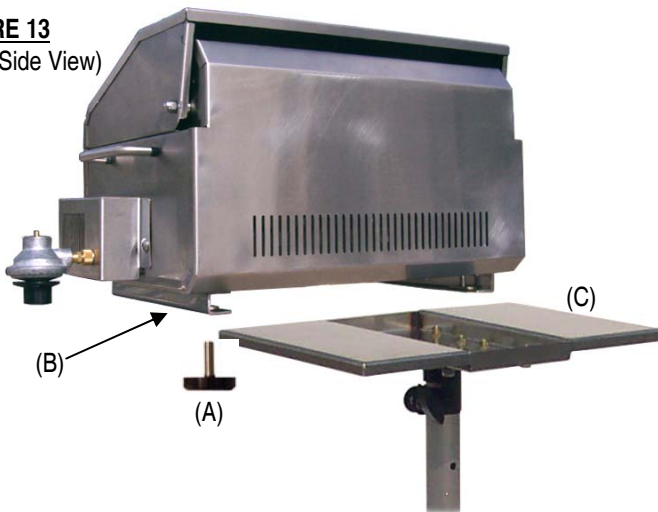


FIGURE 14

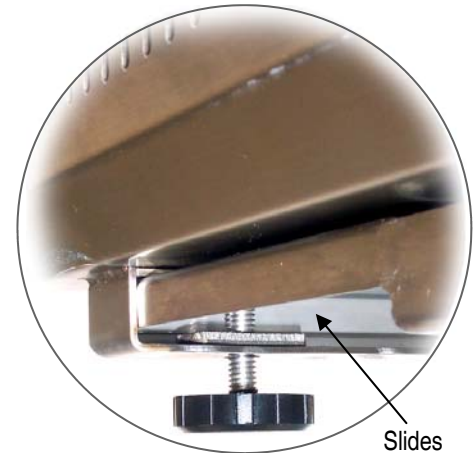


FIGURE 15
(Front View)



Solaire®

INFRARED GRILLING SYSTEMS

27" SOLAIRE GRILLS



Our 27" grills offer outstanding features at very attractive prices. And they grill great, too!

The 27GIR is perfect for 2 to 4 people.

The 27GIRXL is perfect for 2 to 6 people, and for those who wish to perform rotisserie cooking (AGBQ model).

30" SOLAIRE GRILL



With the speed of infrared our 30" grill will prepare meals that would normally require a much larger unit.

56" MODELS



Prepare a complete meal right at your grill. With three main burners, rear infrared rotisserie burner and two side burners, even cooking for large groups is no problem.

Rasmussen
GAS LOGS & GRILLS